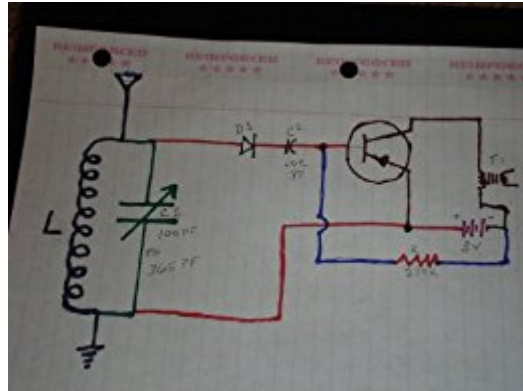


The book was found

Hot Rodding The Fox Hole Radio (Foxhole Homestead Book 19)



Synopsis

Building a couple of no cost circuit mods for a crystal radio. Fox Hole Radio,

Book Information

File Size: 657 KB

Print Length: 4 pages

Publisher: Foxhole Homestead Press (June 19, 2013)

Publication Date: June 19, 2013

Sold by: Digital Services LLC

Language: English

ASIN: B00DHXHEN8

Text-to-Speech: Enabled

X-Ray: Not Enabled

Word Wise: Not Enabled

Lending: Not Enabled

Enhanced Typesetting: Enabled

Best Sellers Rank: #393,101 Paid in Kindle Store (See Top 100 Paid in Kindle Store) #6 in Kindle Store > Kindle eBooks > Engineering & Transportation > Engineering > Electrical & Electronics > Solid State #16 in Books > Engineering & Transportation > Engineering > Electrical & Electronics > Electronics > Solid State #1275 in Books > Crafts, Hobbies & Home > Sustainable Living

Customer Reviews

From the photo, I expected a nice article with several photos, diagrams, and a real guided 'how to', but instead you get one crappy photo, and a 3 page text description of what to do. I was really hoping for a more informative article. I could have simply google and found the information presented in this book. Don't waste your money, unless you simply don't have access to google.

[Download to continue reading...](#)

Hot Rodding the Fox Hole Radio (Foxhole Homestead Book 19) Ham Radio Guide Quick Start Ham Radio Guide- From Beginner To Advanced: (Ham Radio Study Guide, Dummy Load Ham Radio) (Home Ham Radio, Ham Radio Book) Ham Radio: Ultimate Ham Radio Beginners To Expert Guide: Easy Step By Step Instructions And Vital Knowledge To Start Using Your Ham Radio Today! (Ham Radio, Ham ... Radio License Manual, Ham Radio For Dummies) Ham Radio: The Ultimate Guide to Learn Ham Radio In No Time (Ham radio, Self reliance, Communication, Survival, User Guide,

Entertainments) (Radio, guide, reference books,how to operate Book 1) A Foxhole View: Personal Accounts of Hawaii's Korean War Veterans (A Latitude 20 Book) Ham Radio: The Ultimate Ham Radio QuickStart Guide - From Beginner To Expert (Survival, Communication, Self Reliance, Ham Radio) Ham Radio: Ultimate User Guide 2016 (Survival, Communication, Self Reliance, Ham Radio, ham radios, ham radio for beginners, self reliance) Ham Radio: Advanced Guide (Ham radio, Self reliance, Communication, Survival, User Guide, Entertainments, Radio, guide, reference books) Ham Radio: The Ultimate Ham Radio Guide - How To Set Up And Operate Your Own Ham Radio Station (Survival, Communication, Self Reliance) Chinese Hot Pot Cookbook - Your Favorite Chinese Hot Pot Recipe Book: No Other Chinese Cookbook Can Compare Hot Cars: A Collectors Ultimate Source for Hot Wheels, Matchbox and Johnny Lightning Hot Wheels Forty Years (Hot Wheels (Krause Publications)) Hot Wheels Field Guide: Values and Identification (Warman's Field Guides Hot Wheels: Values & Identification) Hot Wheels Spectraflame: The Essential Guide (Hot Wheels (Krause Publications)) Hot SEALs: Romanced by a SEAL: Hot SEALs Touring Arizona Hot Springs (Touring Hot Springs) Touring Montana and Wyoming Hot Springs (Touring Hot Springs) Touring Hot Springs California and Nevada: A Guide To The Best Hot Springs In The Far West The Heist (Fox and O'Hare Series, Book 1) The Ghost in the Doll (Fox Meridian Book 6)

[Dmca](#)